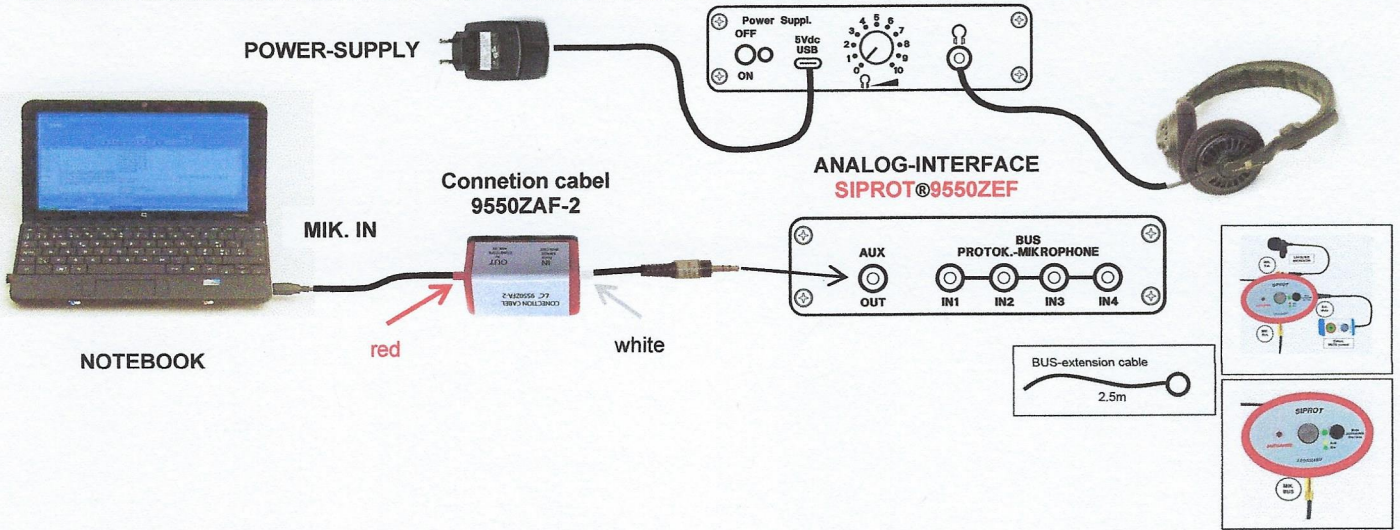


PROJECT

Customer / x
 Organization : Insurance
 Place : x
 Date : x.x.x
 Time : x:x

Details : 8 Tables / 1 Chairman / 17 Participants
 1 Reporter (protocol)

Example



Protokoll Reporter

