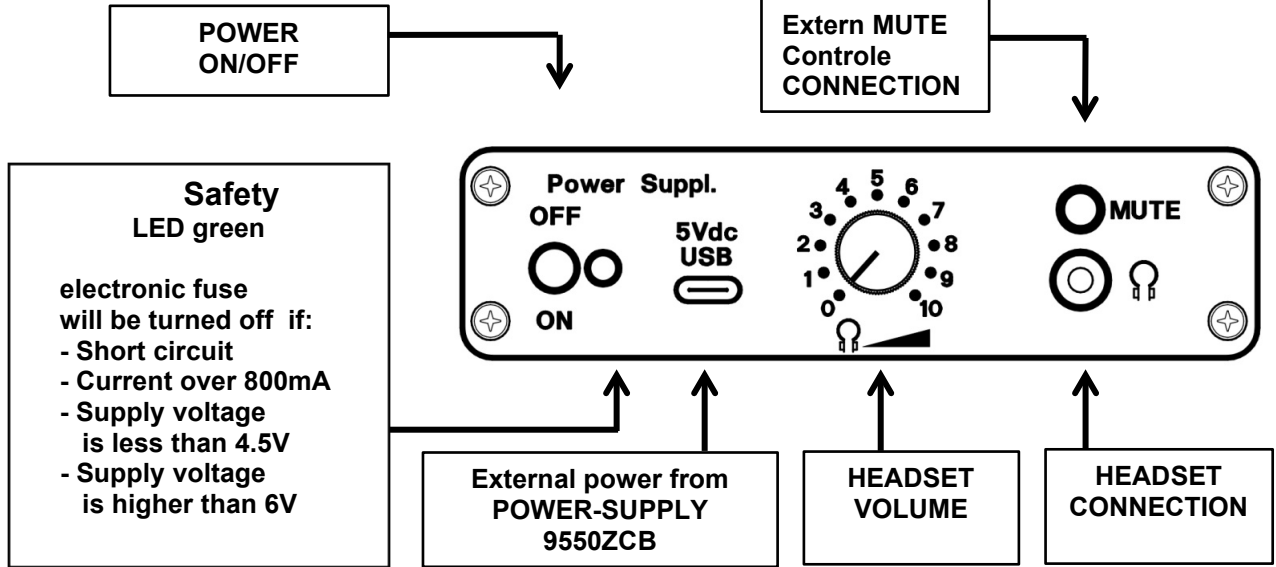


A product of
LEONHARD CONSULTING GmbH
 AV-KONGRESSTECHNIK-ELEKTROAKUSTIK
 SCHWEIZ SUISSE SWITZERLAND

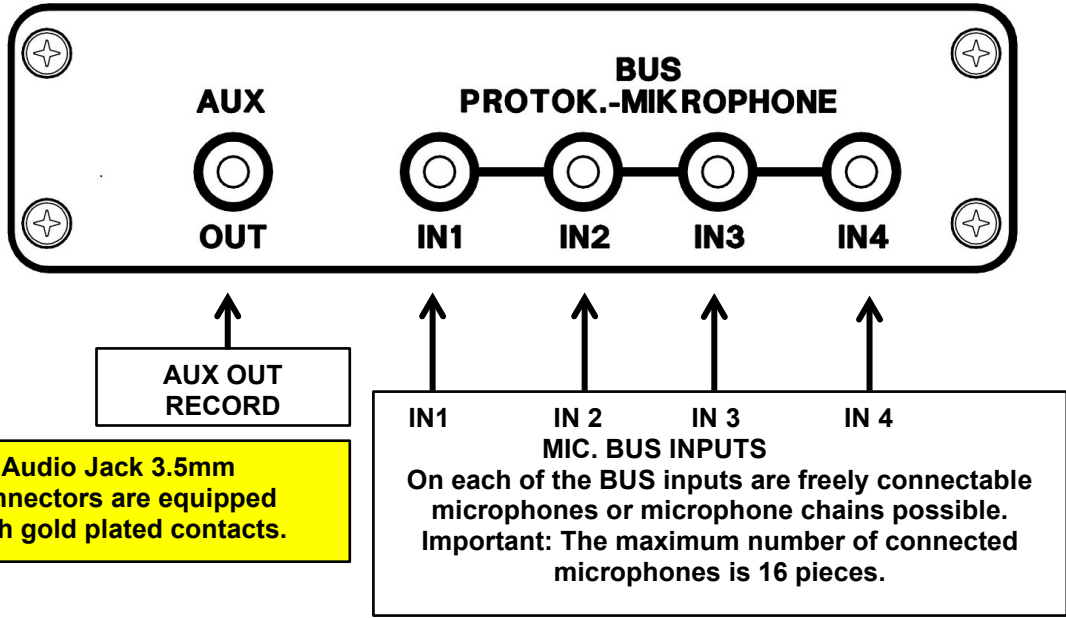
SIPROT®
 The modern one PROTOCOL MANAGEMENT System
ANALOG INTERFACE 9550ZEG

All the audio features of this unit are the same as in the ANALOG-INTERFACE 9550ZEF.
 In addition, the device is with the MUTE control functions equipped.
 See the description on page 2.

Dimensions (mm):
 WIDTH= 119
 DEPTH = 102 + 13
 HIGH = 33mm
 Weight: 275 Gr.



CONNECTIONS OUT/ INPUTS



All Audio Jack 3.5mm connectors are equipped with gold plated contacts.

Often there are discussions in sessions where discrete topics are discussed. These have to stay absolutely session internal. Recording is forbidden. Also, there are instances that session participants make unwanted statements or heckling, etc., where the chairperson orders a recording stop. In order for these recording blocks to be immediately and easily switched on / off, we have equipped the device with a MUTE control. This also provides the option (preselectable) that the microphone can remain in operation by the Chairman.

You will find the operating instructions on page E4

OPERATING INSTRUCTION MUTE CONTROL

KEY MUTE
ON / OFF
(Toggling)

Slide switch position 1
LED lights up yellow
Interruption of the sound recording of
the Mic inputs IN 1/2/3 and 4.
Labeled with **MUTE ALL**.

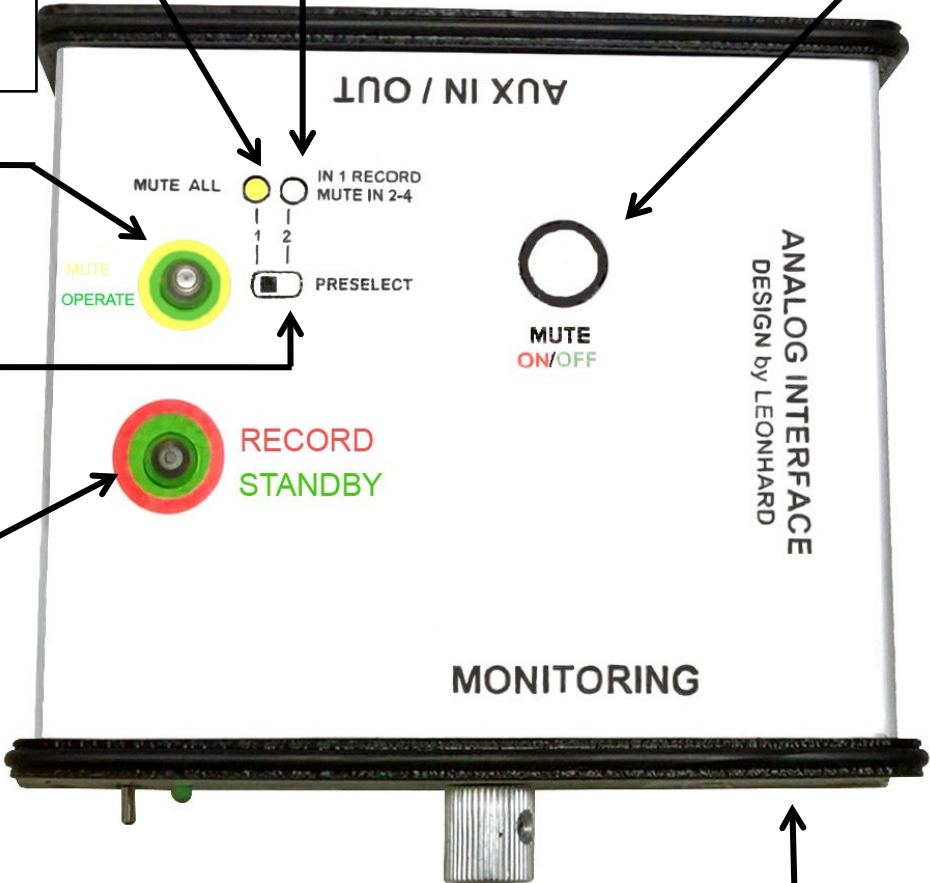
Slide switch position 2
LED lights up yellow
Interruption of sound recording from the
microphone inputs **IN 2/3 and 4**
the sound recording of microphones
IN 1 remains active.
Labeled with **IN 1 RECORD
MUTE IN 2-4**.

DISPLAY MUTE
LED green normal operation
LED YELLOW
LOCK RECORDING,
MUTE, according to
preselection

CODE SWITCH
for
MUTE 1 OR 2

**DISPLAY
SOUND RECORDING**

LED green
STANDBY
(no recording)
LED red
RECORDING



**OPTIONAL
external MUTE
Control-unit**



**Connection
for
external
MUTE control**